

3 Volt, Low Noise High f_T Silicon Transistor

MP4T6310 Series

Features

- High Performance at $V_{CE} = 3V$
- Low Noise Figure at Small Currents (0.3-2 mA)
- High Gain (14 dB) at 1mA Collector Current
- High f_T (14 GHz)
- Available on Tape and Reel

Description

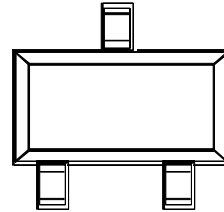
The MP4T6310 series of low current, high f_T silicon NPN bipolar transistors provides low noise figure at a bias of 3 volts and small collector current. These inexpensive surface mount NPN transistors are well suited for usage in portable battery operated wireless systems from 500 MHz through 2.5 GHz where low noise figure at small current is important.

The MP4T6310 transistors series has high f_T and low noise when operated with 0.3 to 2.0 milliamperes current, and 3 volt bias. The associated gain is approximately 14 dB at 1 GHz with 1 mA collector current. The MP4T6310 also has low phase noise while operating in a low power 3-5 volt battery operated VCO in the frequency range of 0.5 to 3 GHz.

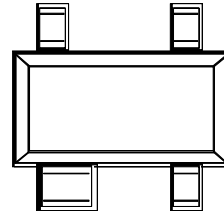
The MP4T6310 transistor is designed for wireless communication systems from VHF through L-band where good noise figure and high gain at 3 volt bias and low DC current are key system requirements. Suggested uses include, 900 MHz portable phones, pagers, PCN subscriber phones and 2.4 GHz cordless and cellular hand held receivers.

The MP4T6310 family of transistors is available in chip (MP4T631000), SOT-23 (MP4T631033), SOT-143 (MP4T631039), and in Micro-X (MP4T631035) packages. Surface mount packages are available on tape and reel.

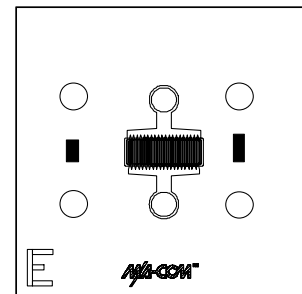
SOT-23



SOT-143



Chip



Specification Subject to Change Without Notice

M-Pulse Microwave

1

576 Charcot Avenue, San Jose, California 95131

Tel (408) 432-1480

Fax (408) 432-3440

Electrical Specifications at 25°C

Symbol	Parameters	Test Conditions	Units	MP4T631000 Chip	MP4T631033 SOT-23	MP4T631035 Micro-X	MP4T631039 SOT-143
f_T	Gain Bandwidth Product	$V_{CE} = 3V$ $I_C = 6\text{ mA}$	GHz	14 typ.	12 typ.	14 typ.	12 typ.
$ S_{21E} ^2$	Insertion Power Gain	$V_{CE} = 3V$ $I_C = 4\text{ mA}$ $f = 1\text{ GHz}$ $f = 2\text{ GHz}$	dB	12 typ. 8 typ.	11 typ. 7 typ.	12 typ. 8 typ.	11 typ. 7 typ.
NF	Noise Figure	$V_{CE} = 3V$ $I_C = 0.5\text{ mA}$ $I_C = 1\text{ mA}$ $f = 1\text{ GHz}$	dB	1.5 typ.	1.5 typ.	1.5 typ.	1.5 typ.
GTU (max)	Unilateral Gain	$V_{CE} = 3V$ $I_C = 4\text{ mA}$ $f = 1\text{ GHz}$ $f = 2\text{ GHz}$	dB	14.5 typ. 9 typ.	13 typ. 8 typ.	14.5 typ. 9 typ.	13 typ. 8 typ.
MAG	Maximum Available Gain	$V_{CE} = 3V$ $I_C = 4\text{ mA}$ $f = 2\text{ GHz}$	dB	10 typ.	10 typ.	10 typ.	10 typ.
P_{1dB}	Power Out at 1dB Compression	$V_{CE} = 3V$ $I_C = 8\text{ mA}$ $f = 1\text{ GHz}$	dBm	1.5 typ.	1.5 typ.	1.5 typ.	1.5 typ.
$R_{TH (J-A)}$	Thermal Resistance	Junction/ Ambient	°C/W	75 max ¹	700 typ. ²	600 typ. ²	700 typ. ²

1. Junction/Heat Sink $R_{TH (J-C)}$

2. Free Air

Maximum Ratings at 25°C

Parameter	Symbol	Maximum Rating
Collector Base Voltage	V_{CBO}	8 V
Collector-Emitter Voltage	V_{CEO}	6 V
Emitter-Base Voltage	V_{EBO}	1.5 V
Collector Current	I_C	10 mA
Junction Temperature	T_j	200°C
Storage Temperature Chips or Ceramic Packages Plastic Packages	T_{STG}	-65°C to +200°C -65°C to +125°C
Power Dissipation	P_D	-60mW ¹

1. See Typical Performance Curves for power derating.

Electrical Specifications at 25°C

Parameters	Conditions	Symbol	Min.	Typ.	Max.	Units
Collector Cut-off Current	$V_{CB} = 3\text{ V}$ $I_E = 0$	I_{CBO}	—	—	100	nA
Emitter Cut-off Current	$V_{EB} = 1\text{ V}$ $I_C = 0$	I_{EBO}	—	—	1	μA
Forward Current Gain	$V_{CE} = 3\text{ V}$ $I_C = 3\text{ mA}$	h_{FE}	20	100	200	—
Collector Base Junction Capacitance	$V_{CB} = 3\text{ V}$ $I_E = 0$ $f = 1\text{ MHz}$	C_{OB}	—	0.42	0.55	pF

Specification Subject to Change Without Notice

M-Pulse Microwave

2

576 Charcot Avenue, San Jose, California 95131

Tel (408) 432-1480

Fax (408) 432-3440

MP4T631035

Typical Scattering Parameters in the Micro-X Package

 $V_{CE} = 3$ Volts, $I_C = 2$ mA

Frequency (MHz)	S _{11E}		S _{21E}		S _{12E}		S _{22E}	
	Mag.	Angle	Mag.	Angle	Mag.	Angle	Mag	Angle
500	0.744	-37.9	4.174	137.0	0.088	63.8	0.841	-31.2
1000	0.524	-69.7	3.435	109.7	0.136	51.4	0.645	-48.2
1500	0.357	-94.3	2.771	89.9	0.169	45.5	0.531	-57.9
2000	0.255	-118.6	2.308	75.0	0.201	41.2	0.463	-67.5
2500	0.188	-142.6	1.977	62.3	0.228	37.3	0.415	-75.2
3000	0.139	-171.1	1.709	51.5	0.254	33.8	0.393	-81.9
3500	0.130	168.9	1.587	41.9	0.281	29.1	0.360	91.2
4000	0.133	140.6	1.448	33.1	0.299	25.8	0.342	-97.9
4500	0.156	122.4	1.369	23.1	0.323	21.8	0.324	-107.8
5000	0.180	105.0	1.296	15.5	0.342	17.9	0.308	-115.4
5500	0.204	89.7	1.239	7.9	0.362	14.3	0.299	-123.5
6000	0.228	78.9	1.194	0.7	0.379	10.7	0.292	-132.8

 $V_{CE} = 3$ Volts, $I_C = 4$ mA

Frequency (MHz)	S _{11E}		S _{21E}		S _{12E}		S _{22E}	
	Mag.	Angle	Mag.	Angle	Mag.	Angle	Mag	Angle
500	0.558	-54.5	6.582	127.1	0.074	61.9	0.727	-37.0
1000	0.324	-92.2	4.537	98.8	0.114	54.8	0.523	-49.9
1500	0.217	-119.0	3.299	82.1	0.149	51.4	0.437	-56.5
2000	0.169	-150.7	2.635	69.2	0.184	47.4	0.387	-65.3
2500	0.147	172.8	2.204	58.0	0.215	43.3	0.353	-72.2
3000	0.141	148.6	1.888	48.1	0.244	39.4	0.330	-78.6
3500	0.145	134.2	1.719	39.3	0.274	34.5	0.315	-88.4
4000	0.167	115.0	1.562	30.9	0.296	30.7	0.305	-95.7
4500	0.196	103.5	1.465	21.3	0.322	26.2	0.288	-106.1
5000	0.223	90.9	1.381	13.9	0.343	22.0	0.275	-114.0
5500	0.251	79.0	1.314	6.4	0.365	17.8	0.267	-122.7
6000	0.275	69.7	1.260	-1.4	0.383	14.1	0.262	-132.5

 $V_{CE} = 3$ Volts, $I_C = 6$ mA

Frequency (MHz)	S _{11E}		S _{21E}		S _{12E}		S _{22E}	
	Mag.	Angle	Mag.	Angle	Mag.	Angle	Mag	Angle
500	0.429	-67.5	7.855	120.2	0.067	62.5	0.656	-39.5
1000	0.244	-107.3	4.871	93.9	0.107	57.9	0.466	-49.4
1500	0.178	-136.4	3.445	78.8	0.144	54.7	0.397	-54.9
2000	0.160	-168.7	2.722	66.7	0.179	50.3	0.354	-63.5
2500	0.158	163.5	2.264	56.0	0.212	45.9	0.326	-70.3
3000	0.166	138.7	1.933	46.4	0.241	41.5	0.306	-76.9
3500	0.170	126.8	1.753	37.9	0.273	36.5	0.295	-87.3
4000	0.192	109.9	1.584	29.8	0.294	32.8	0.289	-94.3
4500	0.221	100.9	1.490	20.2	0.322	28.1	0.275	-106.0
5000	0.250	89.2	1.403	13.0	0.344	23.8	0.263	-114.7
5500	0.280	77.8	1.333	5.3	0.367	19.4	0.255	-124.2
6000	0.304	68.6	1.276	-2.4	0.385	15.7	0.254	-134.7

Specification Subject to Change Without Notice

M-Pulse Microwave

3

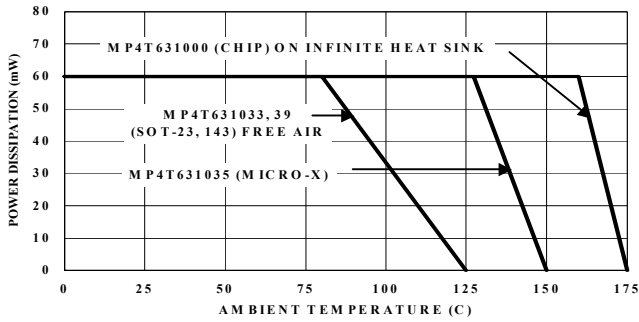
576 Charcot Avenue, San Jose, California 95131

Tel (408) 432-1480

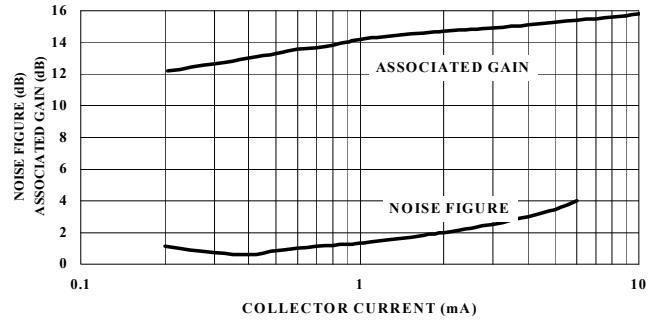
Fax (408) 432-3440

Typical Performance Curves (MP4T631035)

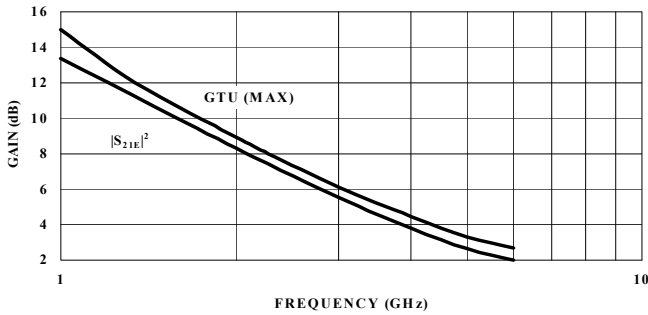
POWER DERATING CURVES



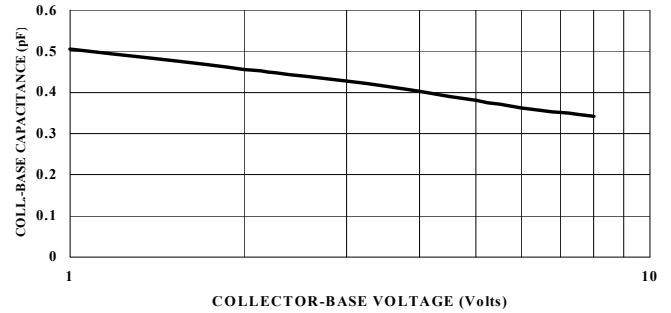
NOISE FIGURE and ASSOCIATED GAIN at VCE = 3 V, 1 GHz vs COLLECTOR CURRENT



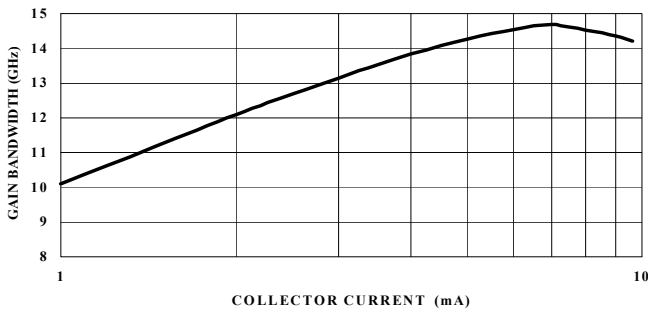
GAIN vs FREQUENCY at VCE=3 V and IC = 4 mA



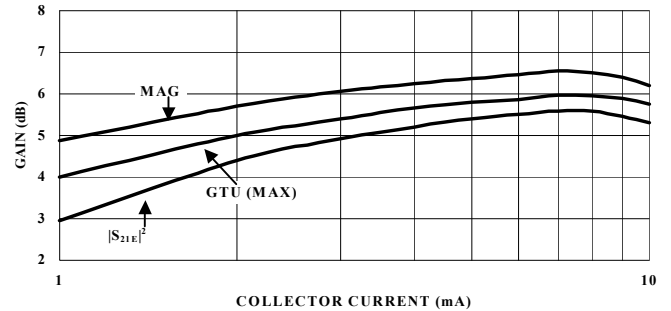
COLLECTOR-BASE CAPACITANCE (C_{OB}) vs COLLECTOR-BASE VOLTAGE



GAIN BANDWIDTH PRODUCT (f_T) vs COLLECTOR CURRENT at VCE=3 V



GAIN vs COLLECTOR CURRENT at 3 GHz, VCE=3 V



Specification Subject to Change Without Notice

M-Pulse Microwave

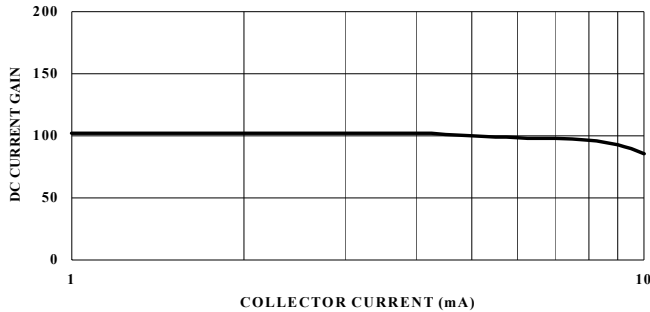
4
576 Charcot Avenue, San Jose, California 95131

Tel (408) 432-1480

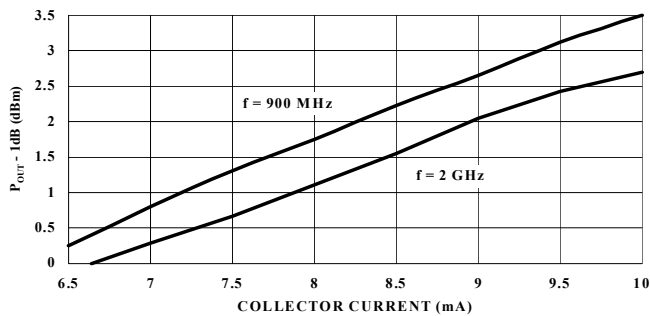
Fax (408) 432-3440

Typical Performance Curves
(MP4T631035) Cont.

DC CURRENT GAIN (h_{FE}) vs COLLECTOR CURRENT at $V_{CE} = 3\text{ V}$



OUTPUT POWER at 1 dB COMPRESSION POINT vs COLLECTOR CURRENT $V_{CE}=3\text{V}$



Specification Subject to Change Without Notice

M-Pulse Microwave

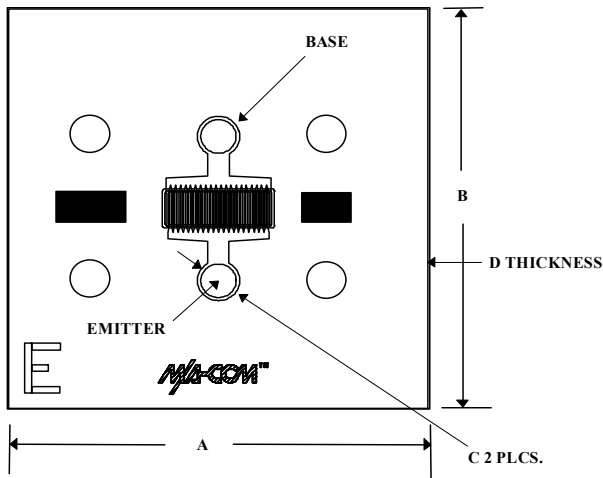
5
576 Charcot Avenue, San Jose, California 95131

Tel (408) 432-1480

Fax (408) 432-3440

Case Styles

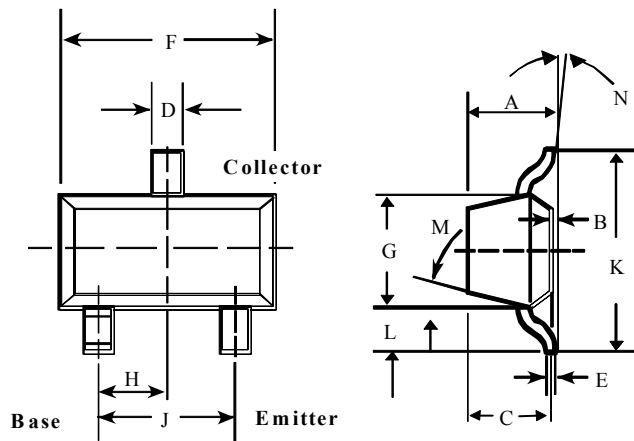
Chip - MP4T631000



MP4T6310500

DIM.	INCHES (Nominal)	MM (Nominal)
A	0.013	0.35
B	0.013	0.35
C	0.0016	0.040
D	0.0045	0.11

SOT-23 - MP4T631033



MP4T631033

DIM.	INCHES		MILLIMETERS	
	MIN.	MAX.	MIN.	MAX.
A	—	0.048	—	1.22
B	—	0.008	—	0.20
C	—	0.040	—	1.00
D	0.013	0.020	0.35	0.50
E	0.003	0.006	0.08	0.15
F	0.110	0.119	2.80	3.00
G	0.047	0.056	1.20	1.40
H	0.037 typical		0.95 typical	
J	0.075 typical		1.90 typical	
K	—	0.103	—	2.60
L	—	0.024	—	0.60

DIM.	GRADIENT
M	10° max. ¹
N	2° ... 30°

NOTE:

1. Applicable on all sides

Specification Subject to Change Without Notice

M-Pulse Microwave

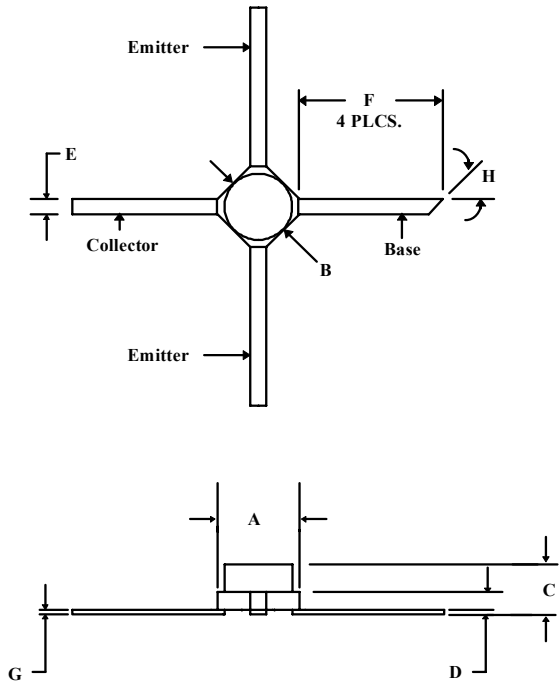
6
576 Charcot Avenue, San Jose, California 95131

Tel (408) 432-1480

Fax (408) 432-3440

Case Styles (Con't)

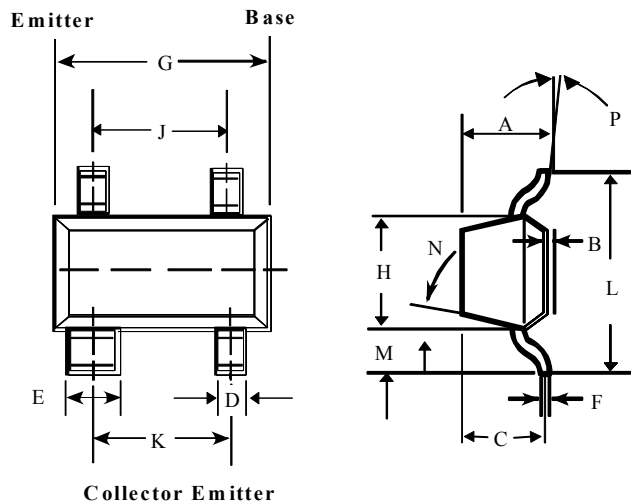
Micro-X - MP4T631035



MP4T631035

DIM.	INCHES		MILLIMETERS	
	MIN.	MAX.	MIN.	MAX.
A	0.092	0.108	2.34	2.74
B	0.079	0.087	2.01	2.21
C	—	0.070	—	1.78
D	0.019	0.025	0.48	0.64
E	0.018	0.022	0.046	0.56
F	0.150	—	3.81	—
G	0.003	0.006	0.08	0.15
H	45°		45°	

SOT-143 - MP4T631039



MP4T631039

DIM.	INCHES		MILLIMETERS	
	MIN.	MAX.	MIN.	MAX.
A	—	0.044	—	1.10
B	—	0.044	—	1.10
C	—	0.040	—	1.00
D	0.030	0.035	0.75	0.90
E	0.013	0.020	0.35	0.50
F	0.003	0.006	0.08	0.15
G	0.110	0.119	2.80	3.00
H	0.047	0.056	1.20	1.40
J	0.075 typical		1.90 typical	
K	0.075 typical		1.90 typical	
L	—	0.103	—	2.6
M	—	0.024	—	0.6

DIM.	GRADIENT
N	10° max. ¹
P	2° ... 30°

NOTE:
1. Applicable on all sides

Specification Subject to Change Without Notice

M-Pulse Microwave

7
576 Charcot Avenue, San Jose, California 95131

Tel (408) 432-1480

Fax (408) 432-3440

Specification Subject to Change Without Notice

M-Pulse Microwave

8

576 Charcot Avenue, San Jose, California 95131

Tel (408) 432-1480

Fax (408) 432-3440